

SPARE PARTS EXPLODED VIEW INSTANTANEOUS GAS WATER HEATERS

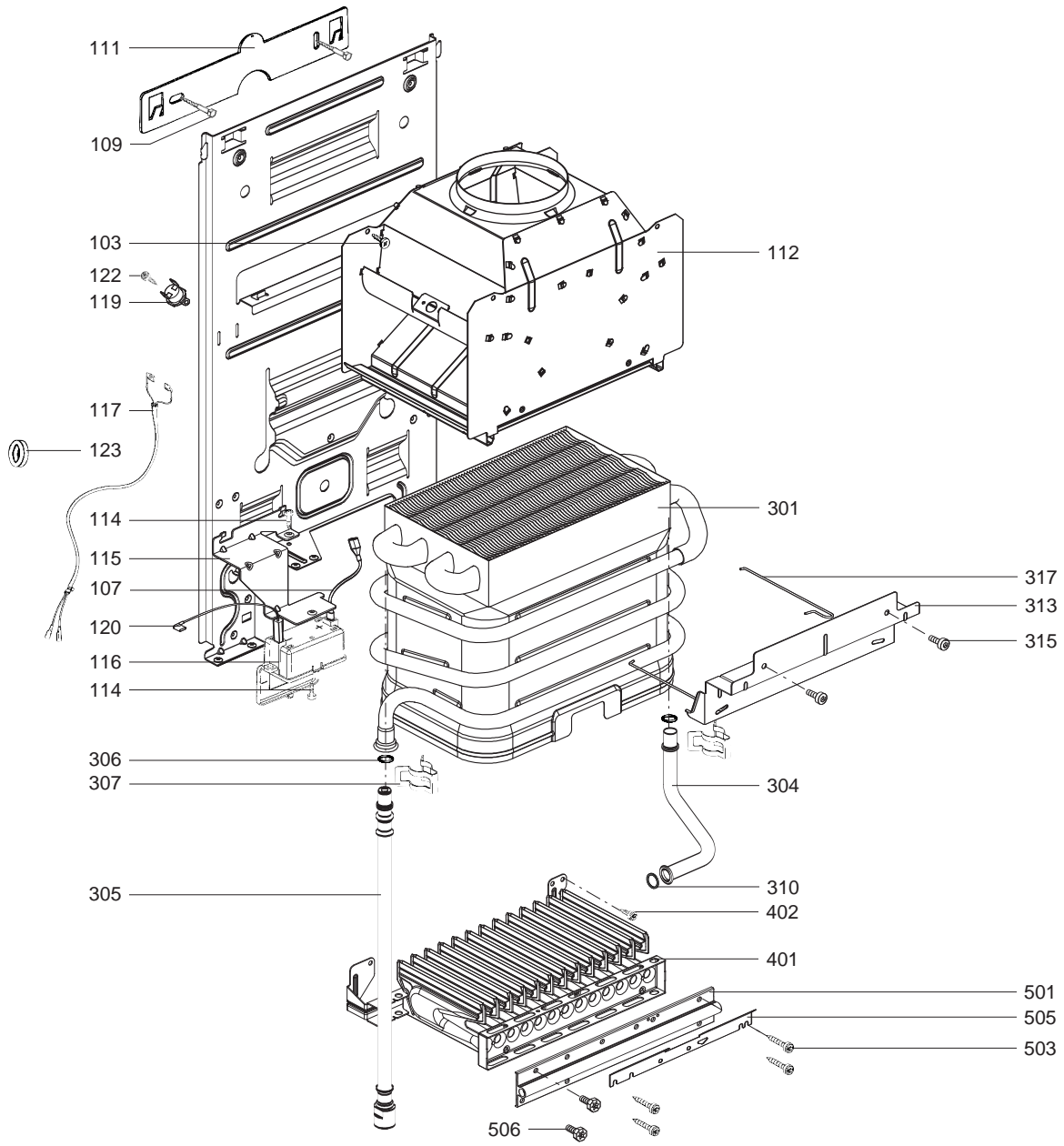
Model

FAST E

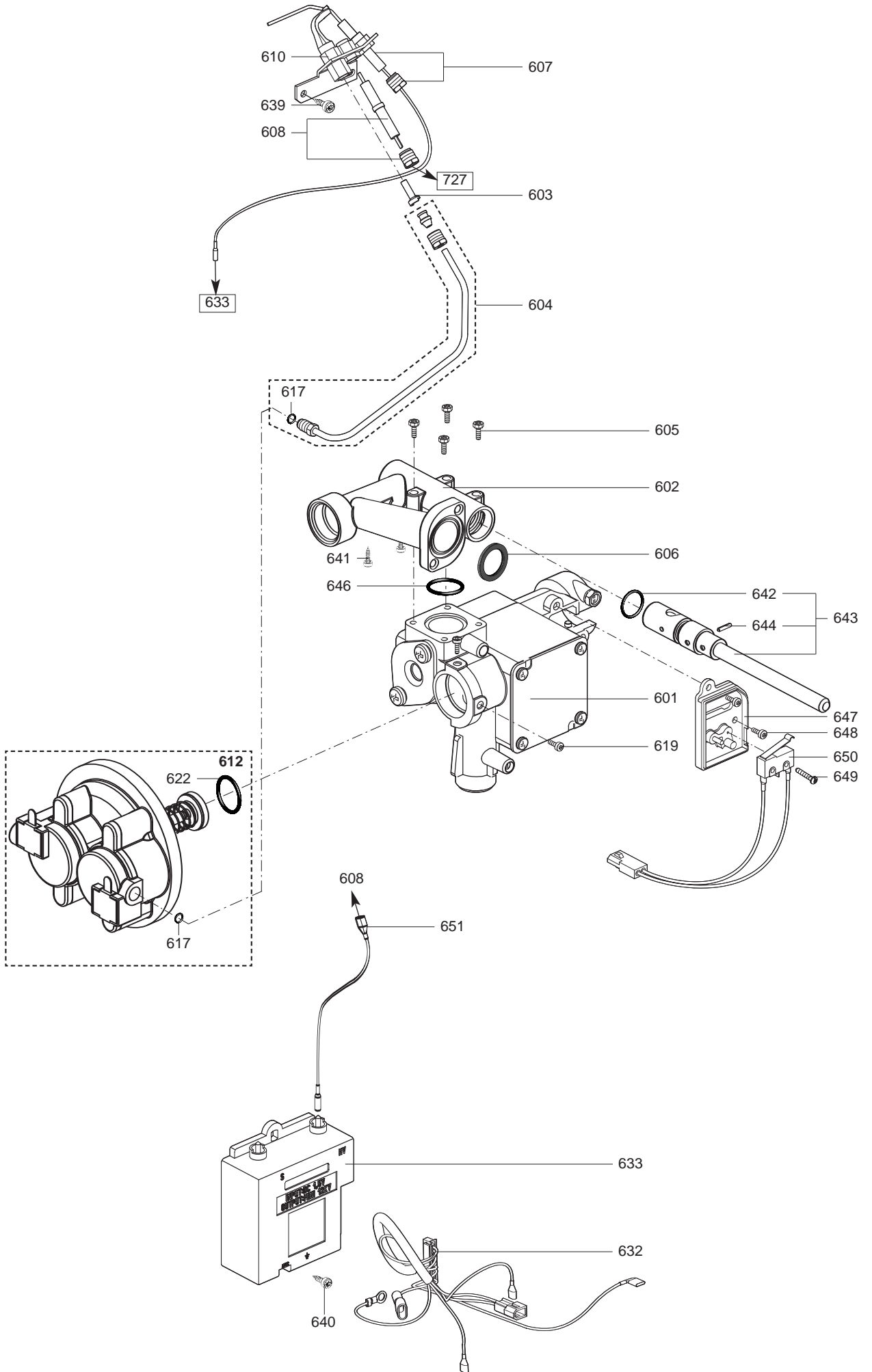
R8202987-01EN - Edition 01 - 17/03/2006



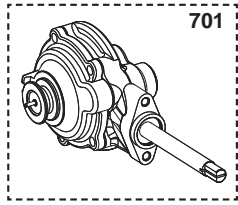
3 677 014		FAST 11 CF E G20 13MB	03/06	...
3 677 016		FAST 14 CF E G20 13MB	03/06	...
Reference	Ind.	Model type	Begin	End



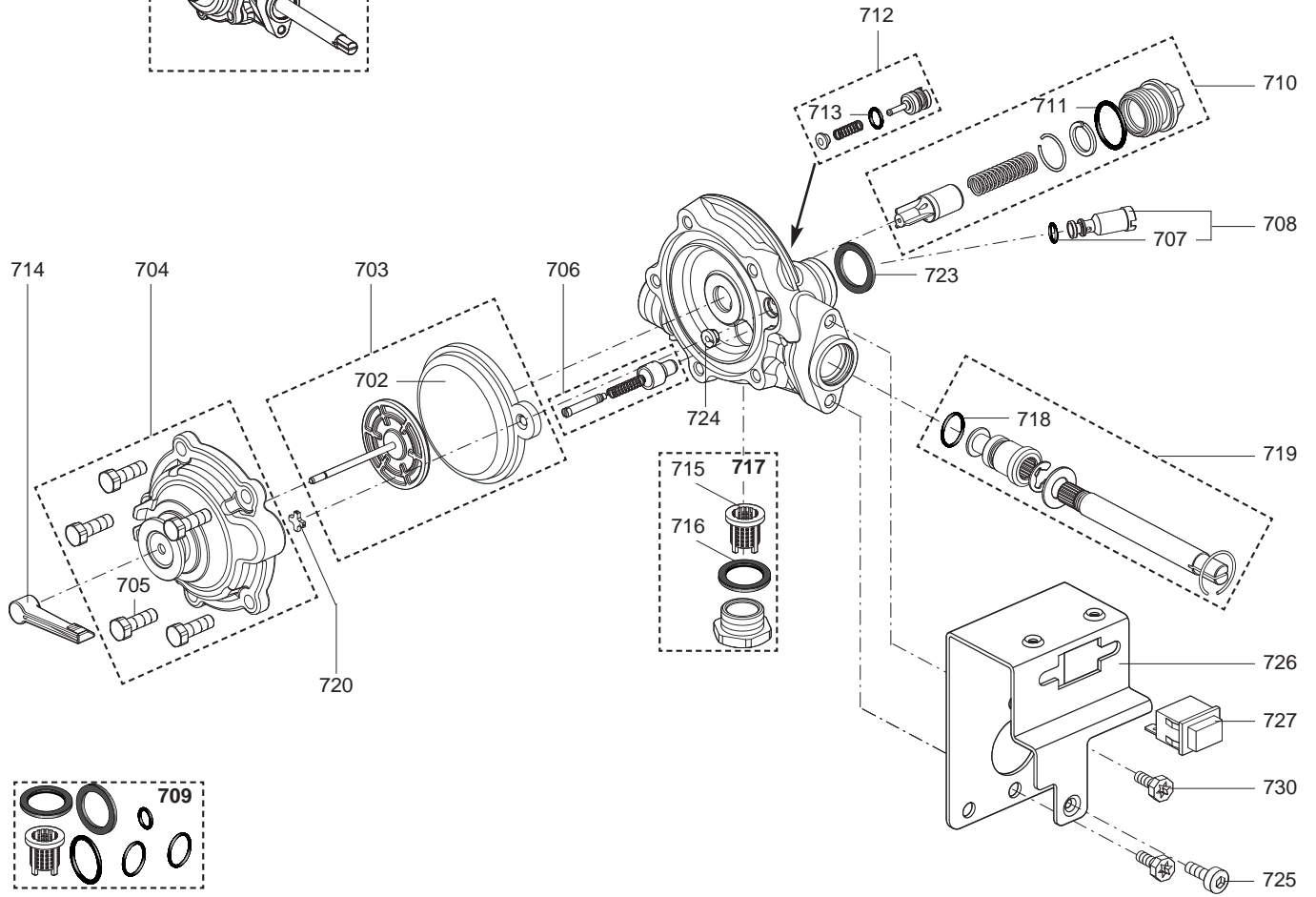
Key N	Description	Manf. Pt. N	Other	Type	FAST 11 E FAST 14 E		Manf. date	
					CF		from	to
0100	CHASSIS							
0103	TAPPING SCREW CBLX D: 4.2-9.5	61010125			• •			
0107	CABLE	61304304			• •			
0109	WOOD SCREW	60025617-03			• •			
0111	HOOING BRACKET	61007192			• •			
0112	DRAUGHT DIVERTER	61312867			•			
	DRAUGHT DIVERTER	61313037			•			
0114	TAPPING SCREW D: 3.5-9.5	61015329			• •			
0115	FIXING BRACKET	61313896			• •			
0116	BATTERY BOX	61012714			• •			
0117	SAFETY CABLE	60000254			• •			
0119	OVERHEAT THERMOSTAT 135°C	60000256			• •			
0120	CABLE	61314208			• •			
0122	TAPPING SCREW CBLZ D: 3.5-6.5	60031521-03			• •			
0123	FERRITE	61014390			• •			
0300	HEATING BODY							
0301	HEATING BODY	61313878			•			
	HEATING BODY	61313901			•			
0304	COLD WATER TUBE	61313435			•			
	COLD WATER TUBE	61313437			•			
0305	HOT WATER FLEXIBLE PIPE	61313860			• •			
0306	"O" RING D: 12.3-2.4	60024164-47			• •			
0307	CLIP	61001674			• •			
0310	WASHER D: 18.4-12.2-1.5	60061855-14			• •			
0313	BEARING PLATE	61312592			•			
	BEARING PLATE	61312812			•			
0315	TAPPING SCREW CBLX D: 4.2-9.5	61010125			• •			
0317	FASTENER	61315211			• •			
0400	BURNER HEAD							
0401	BURNER HEAD	61313218			•			
	BURNER HEAD	61313219			•			
0402	TAPPING SCREW CBLX D: 4.2-9.5	61010125			• •			
0500	MANIFOLD							
0501	MANIFOLD 13 INJ. G20	60000345		G20	•			
	MANIFOLD 16 INJ. G20	60000347		G20	•			
0503	TAPPING SCREW CBLX D: 4.2-25	61010128			• •			
0505	DEFLECTOR	61314788			• •			
0506	SCREW HX M 5-12	61010131			• •			



700

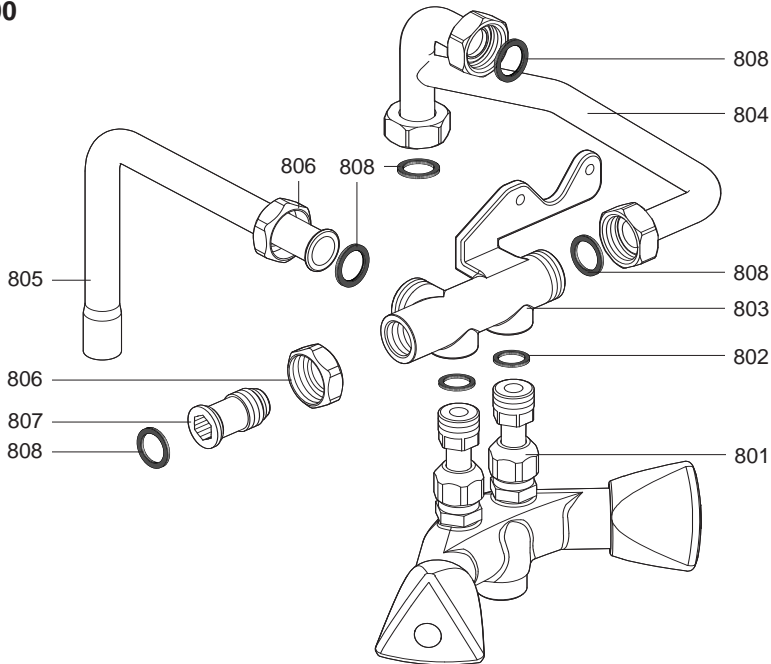


FAST E

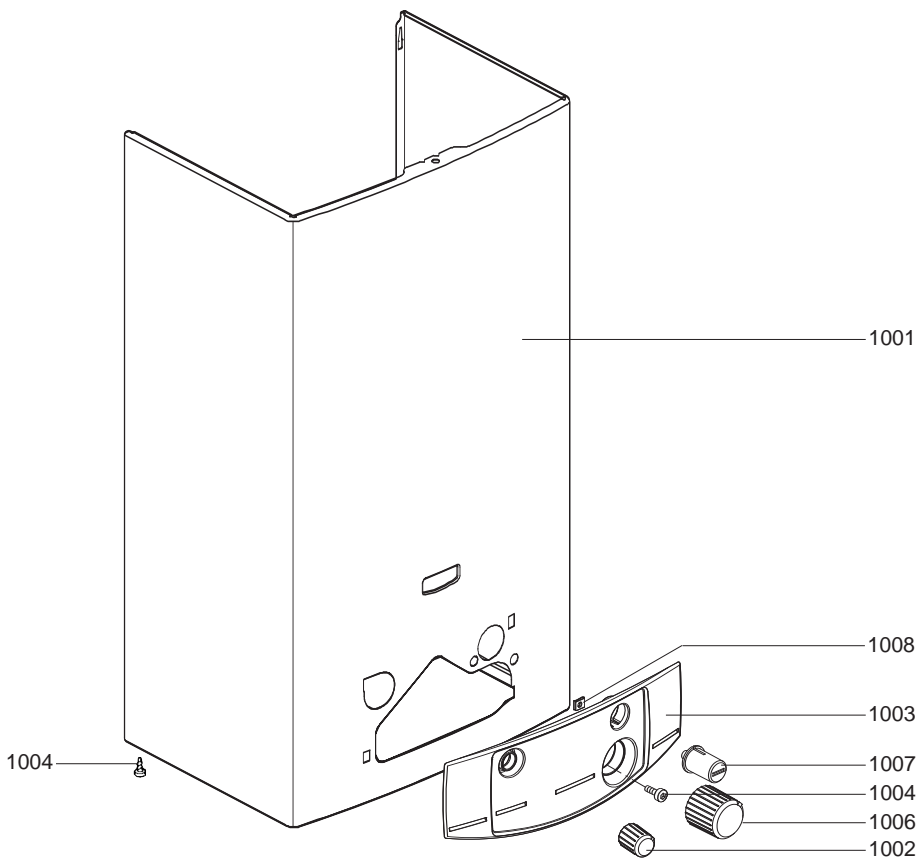
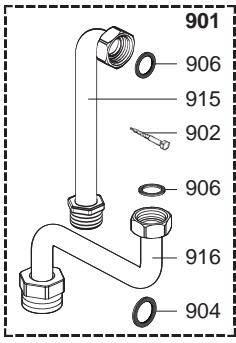


Instantaneous Gas Water Heaters

800



Key N	Description	Manf. Pt. N	Other	Type	FAST 11 E FAST 14 E		Manf. date	
					CF		from	to
0700	WATER SECTION ASSY							
0701	WATER SECTION	61313094			•			
	WATER SECTION	61313095			•	•		
0702	DIAPHRAGM	61316184			•	•		
0703	WATER SECTION REPAIR KIT	61400383			•	•		
0704	COVER	61400386			•	•		
0705	SCREW H M 5-16	61316211			•	•		
0706	WATER THROTTLE ASSY	61400382			•	•		
0707	*O* RING D: 3.4-1.8	61316255			•	•		
0708	VENTURI	61400387			•	•		
0709	WATER SECTION GASKETS KIT	61400390			•	•		
0710	WATER GOVERNOR KIT	61400384			•			
	WATER GOVERNOR KIT	61400385				•		
0711	*O* RING D: 13.94-2.62	61316176			•	•		
0712	BY-PASS VALVE KIT	61316253			•	•		
0713	*O* RING D: 5.5-1.8	61316224			•	•		
0714	OPERATING LEVER	61316247			•	•		
0715	WATER FILTER	61316171			•	•		
0716	SHEET GASKET D: 21-16-1.5	61316207			•	•		
0717	PLUG KIT	61400381			•	•		
0718	*O* RING D: 9.5-1.5	61316254			•	•		
0719	TEMPERATURE SELECTOR ASSY	61400388			•			
	TEMPERATURE SELECTOR ASSY	61400389				•		
0720	VALVE	61316182			•	•		
0723	WASHER D: 18.4-12.2-1.5	60061855-14			•	•		
0724	SLOW IGNITION DEVICE	61316206			•	•		
0725	TAPPING SCREW CBLX D: 4.2-25	61010128			•	•		
0726	SUPPORT BRACKET	61313507			•	•		
0727	BUTTON	61314081			•	•		
0730	SCREW HSX M 5-8	61302631			•	•		
0800	MIXING BATTERY							
0801	MIXING BATTERY	60000030			•	•		
0802	SHEET GASKET D: 14.8-10.3-1.5	60061854-11			•	•		
0803	INTERFACE	60000031			•	•		
0804	COLD WATER TUBE	60000032			•	•		
0805	WATER TUBE	60000033			•	•		
0806	NUT 1/2" THICK: 10	60020747-38			•	•		
0807	COLD WATER CONNECTION	60037186			•	•		
0808	WASHER D: 18.4-12.2-1.5	60061855-14			•	•		





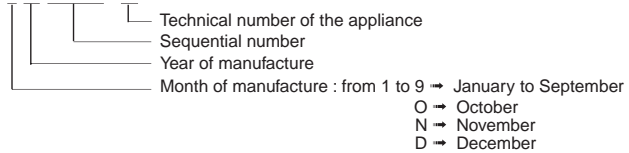
LIST OF THE ABBREVIATIONS

HW	: Hot water.
CW	: Cold water.
C	: Ceramic resistance (normal heating).
Ca	: Ceramic resistance (accelerated heating)
TP	: Immersion heater.
1F	: With fittings.
2F	: Without fittings.
3F	: With fittings and another outlet connection.
AMI	: With mixing valve.
SMI	: Without mixing valve.
PUISS	: Power of th appliance.
PN	: Appliance with normal pression.
LP	: Appliance with low pression.
PV	: Appliance with variable power.
PF	: Appliance with fixed power..

IDENTIFICATION PLATE

SERIAL NUMBER

Ex: 1 95 065004 - 31



The indications mentioned on the prices, commercial or technical literature and the scheme are written for your guidance and are available at a given time. The CONSTRUCTOR retains the power to modify the presentation, the form, the size, the conception or the material of the products.

